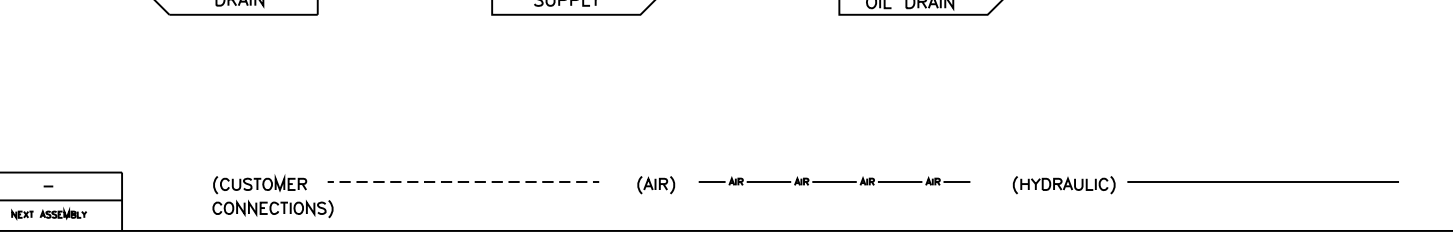
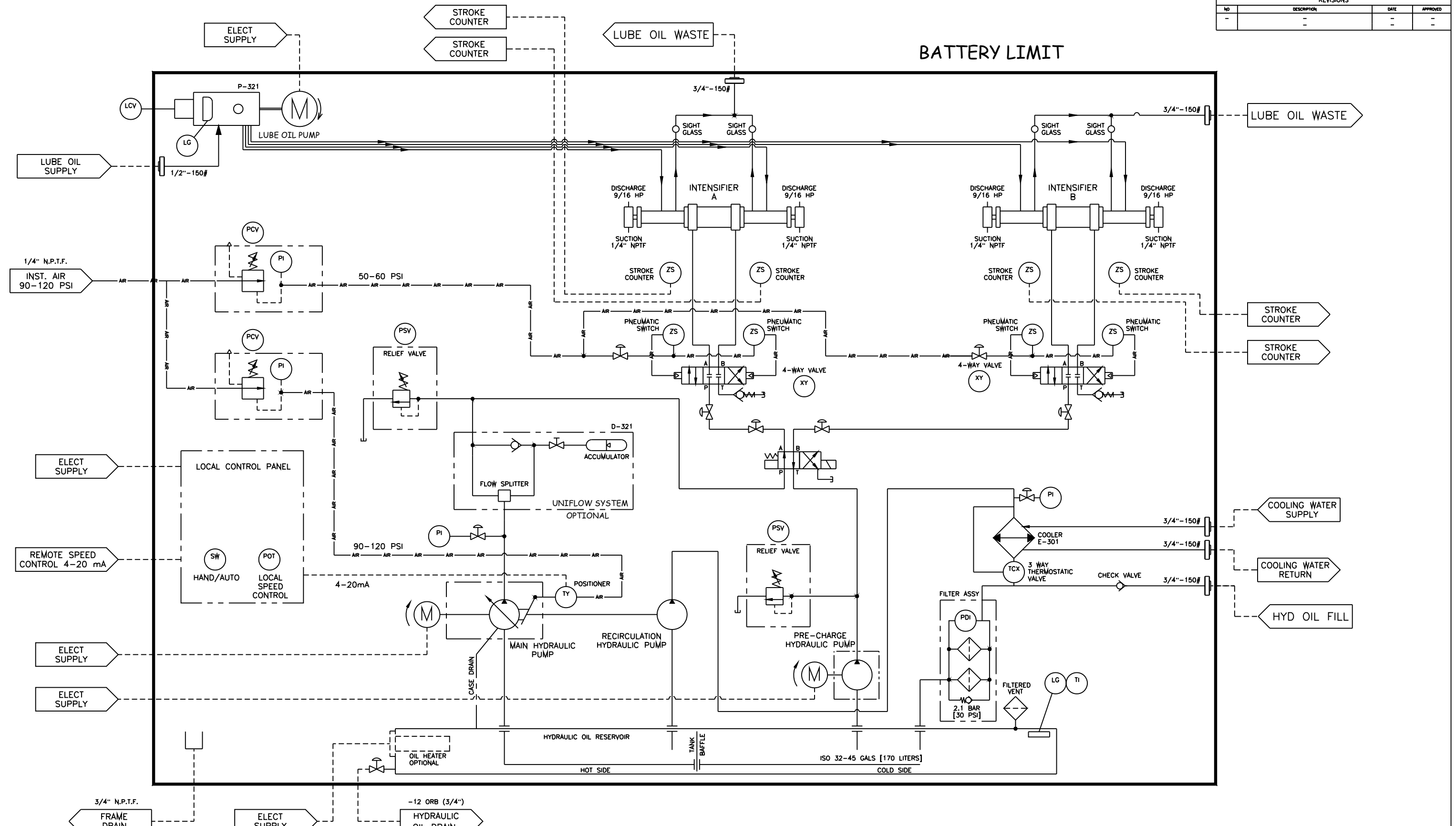


REVISIONS			
NO	DESCRIPTION	DATE	APPROVED
-	-	-	-



Copyright © 2003 KMT Waterjet Systems All Rights Reserved	PROPRIETARY NOTICE	STANDARD TOLERANCES	GD&T TO ASME Y14.5M 1994
	WARNING! The export or reexport of this drawing or a product produced by this drawing is subject to U.S. Export Administration regulations and other applicable governmental restrictions or regulations.	This document contains confidential and trade secret information, is the property of KMT Waterjet Systems, and is given to the receiver in confidence. The receiver by reception and retention of the document accepts the document in confidence and agrees that, except as authorized in writing by KMT Waterjet Systems, it will (1) not use the document on any copy thereof or the confidential or the trade secret information therein; (2) not copy the document; (3) not disclose to others either the document or the confidential or trade secret information therein; and (4) upon completion of the need to retain the document, or upon demand return the document, all copies thereof, and all material copied therefrom.	UNLESS OTHERWISE NOTED: ALL DIAMETERS ON COMMON CENTERLINE COAXIAL TO .005 BREAK SHARP EDGES AND CORNERS .015 SURFACE FINISH 63 X.X = ±.063 X.XX = ±.015 X.XXX = ±.006 ANGLE = ±2°

**KMT McCartney**  
Polyethylene Production Equipment

DUAL PMH - P & ID

THIRD ANGLE PROJECTION

DOC. NO. L-001326 REV. 0

SCALE: - TITLE BLOCK REVISION: 1 SHEET 1 OF 1

Title: I:\Drawings\Layout\_Quote\L-001326.dwg